



SHENZHEN SOUTHERN STAR INTL CO LTD

深圳市南吉星国际贸易有限公司

Furniture Components & Solutions



COMPANY PROFILE

Southern Star is a professional and reliable partner specializing in furniture components, with over 10 years of industry experience in upholstered furniture systems and functional solutions.

With a strong foundation rooted in manufacturing and a deep understanding of production processes, we provide not only distribution of high-quality components, but also **comprehensive sourcing, project management, and customized solutions** tailored to each customer's specific needs.

Our product portfolio covers a wide range of components for sofas, beds, and seating systems—including mechanisms, legs, webbing, and functional parts—supporting both standard production and specialized development projects.

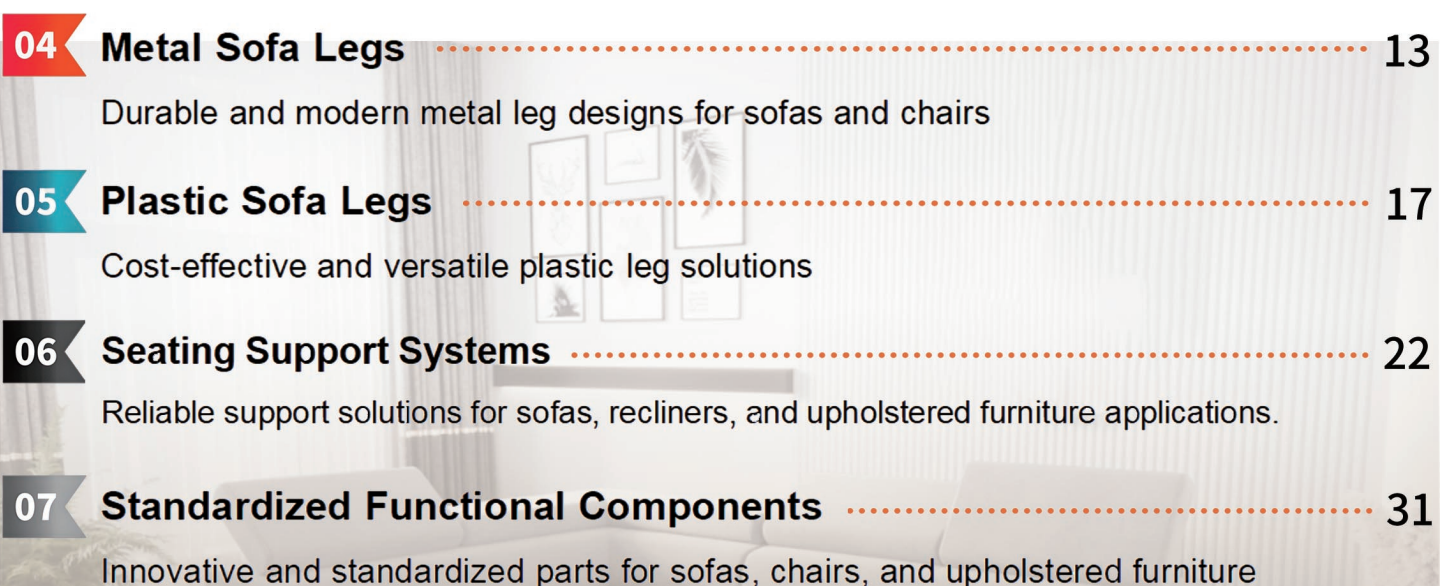
By working closely with a network of qualified manufacturers, we ensure stable supply, consistent quality, and competitive solutions across all product categories.

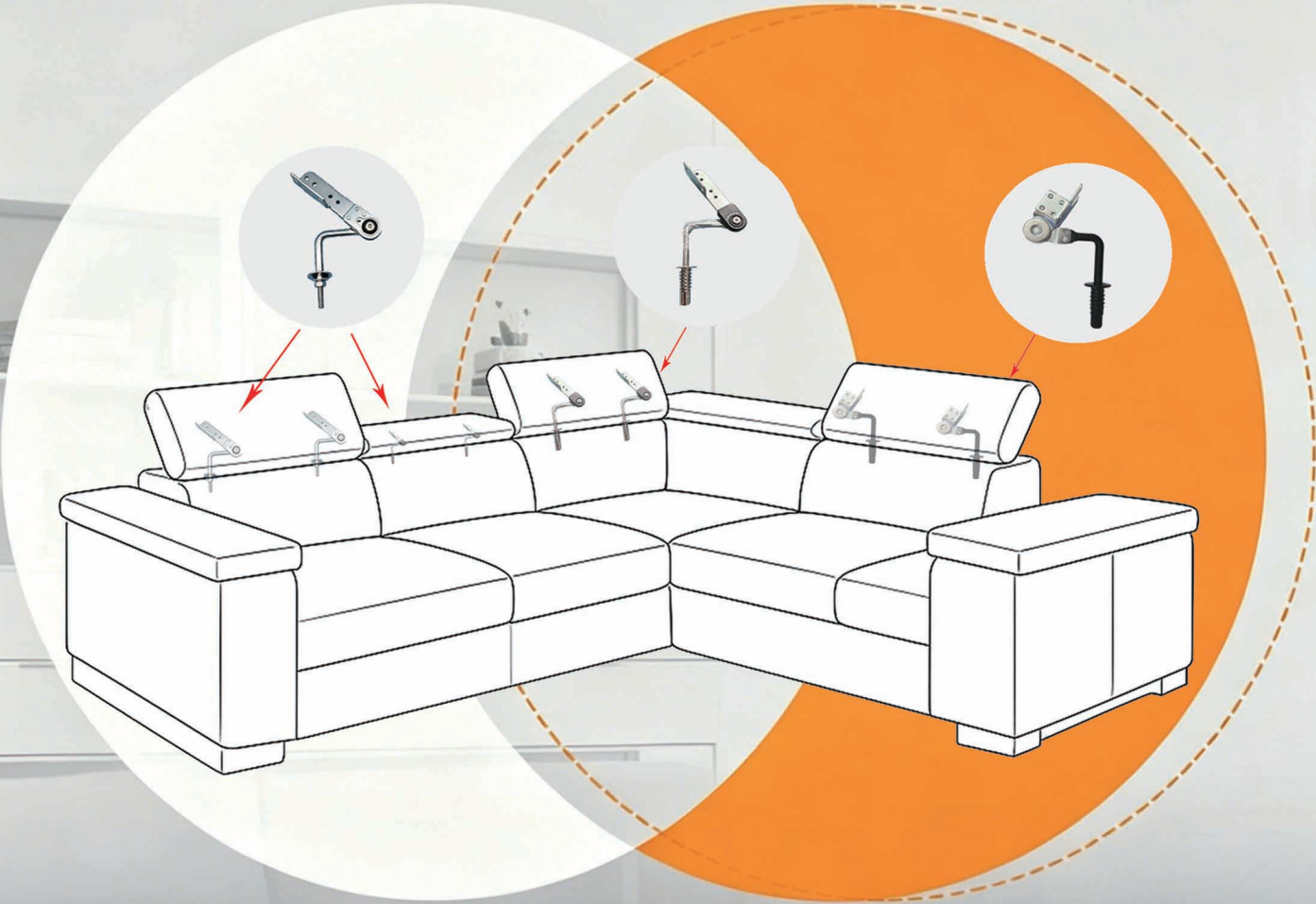
Southern Star serves global customers including furniture manufacturers, wholesalers, and distributors. We are committed to professional communication, efficient coordination, and reliable execution throughout every stage of cooperation.

Our strength lies not only in supplying components, but in understanding how they integrate into your product and production system.



PRODUCT CATEGORIES

- 
- 01 Seating Mechanisms** 01
Mechanisms for sofas, recliners, and upholstered seating systems
- 02 Bed / End Stable Mechanism Systems** 07
Hardware solutions for storage beds / end tables and functional beds structures
- 03 Furniture Connectors & Fittings** 12
Clips, sockets, brackets, and various assembly accessories
- 04 Metal Sofa Legs** 13
Durable and modern metal leg designs for sofas and chairs
- 05 Plastic Sofa Legs** 17
Cost-effective and versatile plastic leg solutions
- 06 Seating Support Systems** 22
Reliable support solutions for sofas, recliners, and upholstered furniture applications.
- 07 Standardized Functional Components** 31
Innovative and standardized parts for sofas, chairs, and upholstered furniture





SSIC-RH-101
 Material: Iron
 Finishing: Zinc plating
 Pitch:7.5°/Step
 Working Range:
 90-135° /90-165°/90-180°



SSIC-RH-102
 Material: Iron
 Finishing: Zinc plating
 Pitch:7.5°/Step
 Working Range:
 90-135° /90-165°/90-180°



SSIC-RH-201
 Material: Iron
 Finishing: Zinc plating
 Pitch:9°/Step
 Working Range:
 90-162° /90-180°



SSIC-RH-202
 Material: Iron
 Finishing: Zinc plating
 Pitch:9°/Step
 Working Range:
 90-162° /90-180°



SSIC-RH-501
 Material: Iron
 Finishing: Zinc plating
 Pitch:3°/Step
 Working Range:
 90-135° /90-180°/90-210°



SSIC-RH-502
 Material: Iron
 Finishing: Zinc plating
 Pitch:3°/Step
 Working Range:
 90-135° /90-180°/90-210°



SSIC-RH-503
 Material: Iron
 Finishing: Zinc plating
 Pitch:3°/Step
 Working Range:
 90-135° /90-180°



SSIC-RH-504
 Material: Iron
 Finishing: Zinc plating
 Pitch:3°/Step
 Working Range:
 90-135° /90-180°



SSIC-RH-301
 Material: Iron
 Finishing: Zinc plating
 Pitch:15°/Step
 Working Range:
 90-135° /90-165°/90-180°
 90-195°/90-225°



SSIC-RH-302
 Material: Iron
 Finishing: Zinc plating
 Pitch:15°/Step
 Working Range:
 90-135° /90-165°/90-180°
 90-195°/90-225°



SSIC-RH-601
 Material: Iron
 Finishing: Zinc plating
 Pitch:1.8°/Step
 Working Range:
 90-180°/90-198°/90-210°



SSIC-RH-601
 Material: Iron
 Finishing: Zinc plating
 Pitch:1.8°/Step
 Working Range:
 90-180°/90-198°/90-210°



SSIC-RH-RL001
 Material: Iron
 Finishing: Zinc plating
 Pitch:8°/Step
 Working Range:
 105-203° (12steps)



SSIC-RH-813



SSIC-RH-815



SSIC-RH-817

Material: Iron
 Finishing: Zinc plating
 Working Range:
 90-135°(3P) / 90-126°(4P)
 90-150°(5P) / 108-180°(6P)
 108-190°(8P) / 99-190°(9P)
 90-180°(8P) / 90-190°(10P) / 117-225°(10P)



SSIC-RH-818



SSIC-RH-819

Material: Iron
 Finishing: Zinc plating
 Pitch:3°/Step
 Working Range:
 90-135°(15P) / 90-180°(30P)
 90-210°(40P) / 180-225°(15P)



SSIC-RH-701
180-135°(15P)



SSIC-RH-702
180-135°(15P)



SSIC-RH-703
180-225°(15P)

Material: Iron
 Finishing: Zinc plating
 Pitch:3°/Step



SSIC-RH-307



SSIC-RH-308



SSIC-RH-305



SSIC-RH-306

Material: Iron
 Finishing: Zinc plating
 Pitch:15°/Step
 Working Range:
 90-135°(3P) / 90-165°(5P)
 90-180°(6P) / 90-195°(7P) / 90-225°(9P)

Finish Available:
 • **Zinc Plating**
 • **Black Powder Coating**

Stretch Version



SIC-RH-811/812
 Material: Iron
 Finishing: Zinc plating
 Pitch: 15°/Step
 Working Range:
 90-165° / 90-180° /
 105-180° / 105-195°



SIC-RH-311/312
 Material: Iron
 Finishing: Zinc plating
 Pitch: 15°/Step
 Working Range:
 90-165° / 90-180° /
 105-180° / 105-195°

Featured Fitting System—Integrated Headrest Solution

This Innovative system combines multiple fittings of H2 Series into a fully integrated headrest solution, delivering enhanced comfort and ergonomic support especially during relaxation.

Inspired by the design concept of first-class airline seating, this solution brings a premium seating experience to modern sofas, offering both functionality and luxurious appeal.





SSIC-PDH-DS01
 Material: Aluminium alloy
 Surface: Chrome Plating+Matt Black
 Height: H225/285mm



SSIC-PDH-DS02
 Material: Iron
 Surface: Chrome Plating+Matt Black
 Height: H225/285mm



SSIC-PDH-DS03
 Material: Iron
 Surface: Chrome Plating+Matt Black
 Height: H280mm



SSIC-PDH-DS04
 Material: Iron
 Surface: Chrome Plating+Matt Black
 Height: H225/285mm



SSIC-PDH-DS05
 Material: Iron
 Surface: Chrome Plating+Matt Black
 Height: H230mm



SSIC-PDH-DS06
 Material: Iron
 Surface: Zinc plating
 Height: H170/210mm



SSIC-PDH-DS07
 Material: Iron+plastic
 Surface: Zinc plating
 Height: H210mm



SSIC-PDH-DS08
 Material: Iron
 Surface: Zinc plating
 Height: H170/210mm





SSIC-XY-DS09



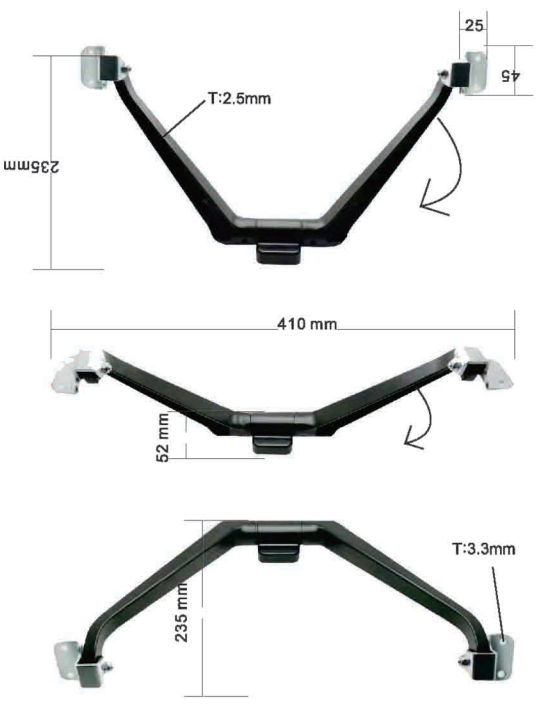
Chroming

Matt



SSIC-PDH-A2803

SSIC-PDH-A2804



SSIC-RJ-9001

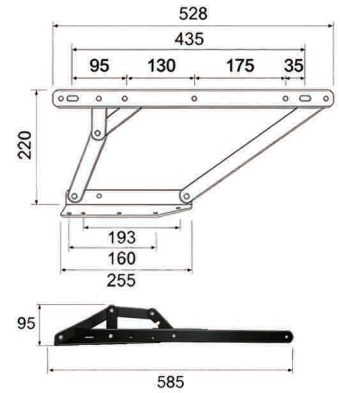






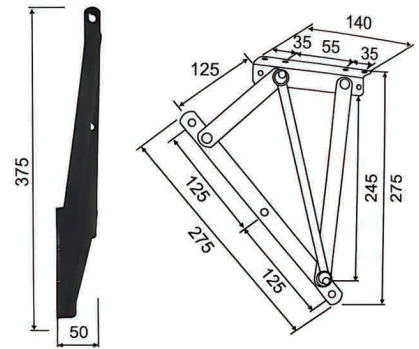
SSIC-XHQ-101

Material: Iron
Finishing: Black/Plating



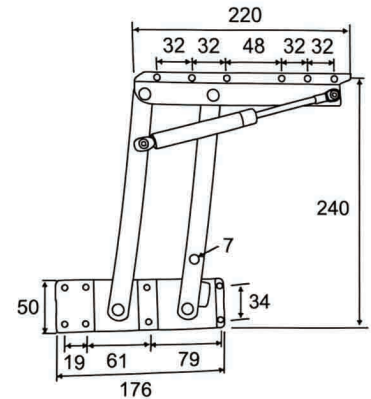
SSIC-XHQ-102

Material: Iron
Finishing: Black/Plating



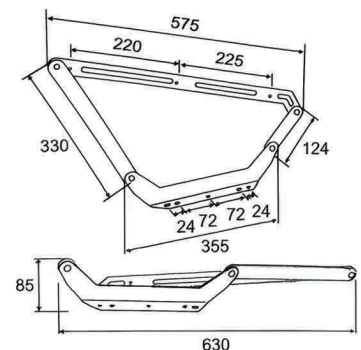
SSIC-XHQ-104

Material: Iron
Finishing: Black/Plating



SSIC-XHQ-105

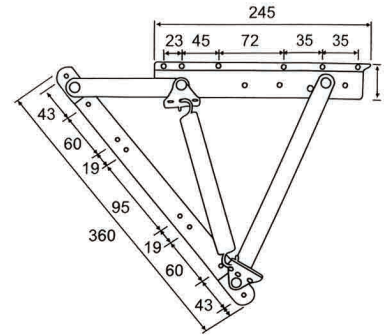
Material: Iron
Finishing: Black/Plating





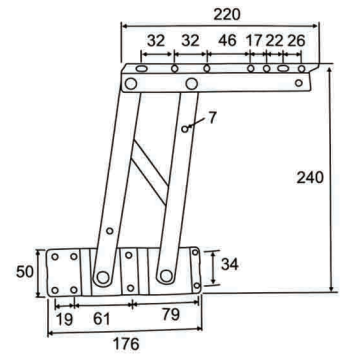
SSIC-XHQ-106

Material: Iron
Finishing: Black/Plating



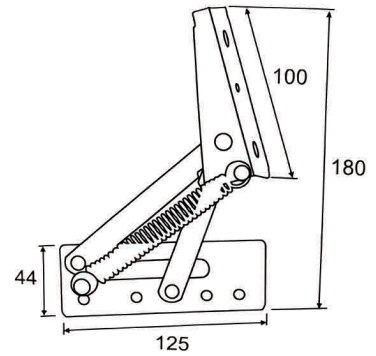
SSIC-XHQ-108

Material: Iron
Finishing: Black/Plating



SSIC-XHQ-109

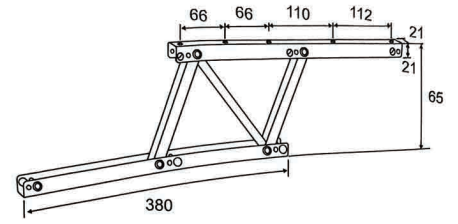
Material: Iron
Finishing: Black/Plating





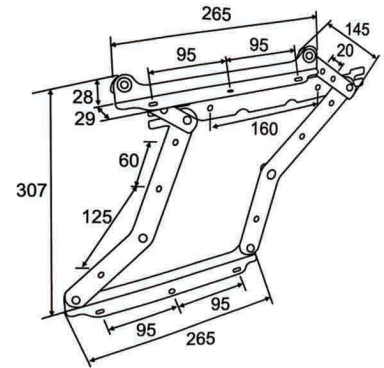
SSIC-XHQ-130

Material: Iron
Finishing: Black/Plating



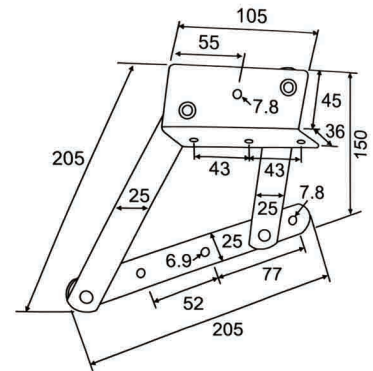
SSIC-XHQ-131

Material: Iron
Finishing: Black/Plating



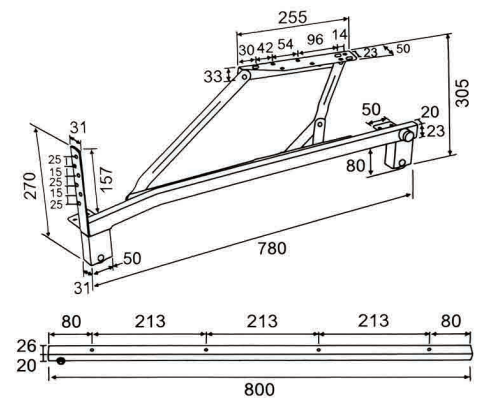
SSIC-XHQ-132

Material: Iron
Finishing: Black/Plating



SSIC-XHQ-133

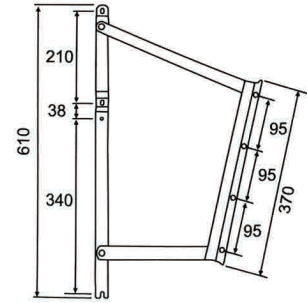
Material: Iron
Finishing: Black/Plating





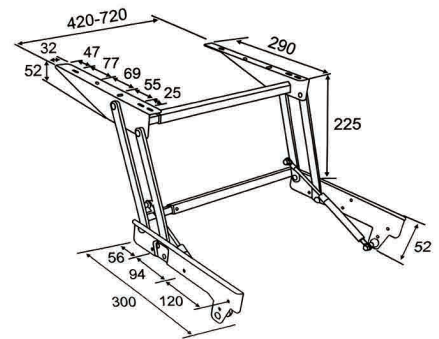
SSIC-XHQ-118

Material: Iron
Finishing: Black/Plating



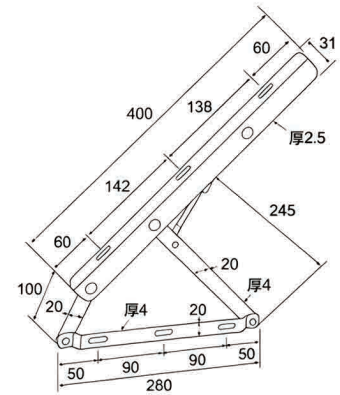
SSIC-XHQ-134

Material: Iron
Finishing: Black/Plating



SSIC-XHQ-141

Material: Iron
Finishing: Black/Plating





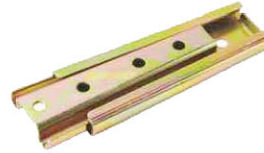
SSIC-PDH-A01



SSIC-PDH-A02



SSIC-PDH-A03



SSIC-PDH-A04



SSIC-PDH-A05



SSIC-PDH-A06



SSIC-PDH-A07



SSIC-PDH-A08



SSIC-PDH-A09



SSIC-PDH-A10



SSIC-PDH-OA1



SSIC-PDH-OA2



SSIC-PDH-OA3



SSIC-PDH-OA4
Base: 50*50mm
Height: 70mm



SSIC-PDH-OA5
Base: 30*50mm
Height: 70mm



SSIC-PDH-OA6
Base: 40*60mm
Height: 70mm



SSIC-PDH-OA7
Base: 40*60mm
Height: 70mm



SSIC-PDH-OA8
base: 50*50mm
Height: 110mm

Optional Sockets weight:
35g /42g/67g/82g





Exquisite craftsmanship



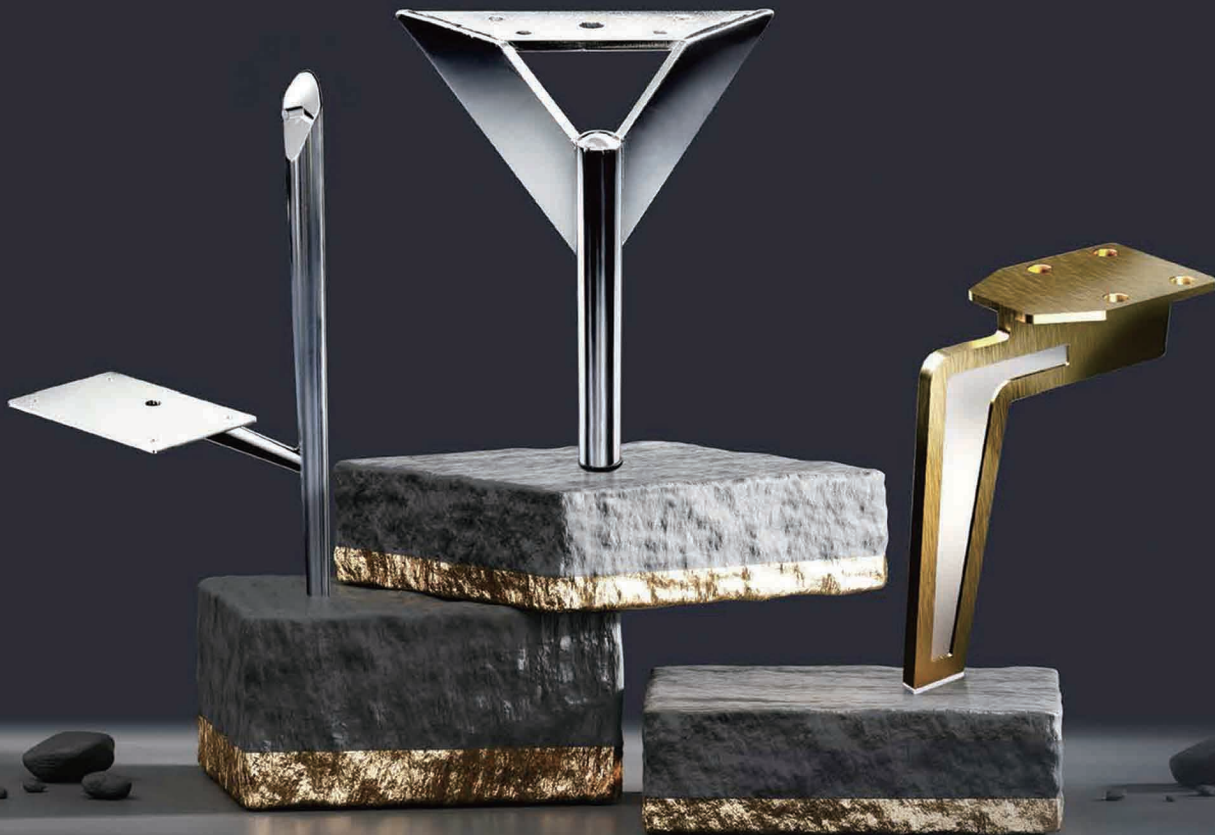
Fine polishing

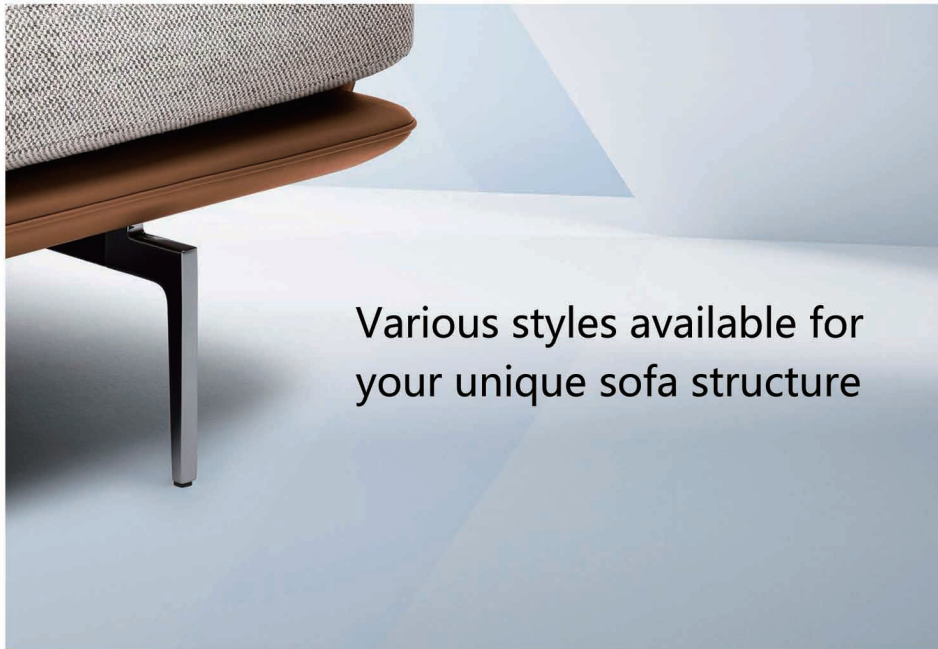


Strong load-bearing capacity



Not easily worn out

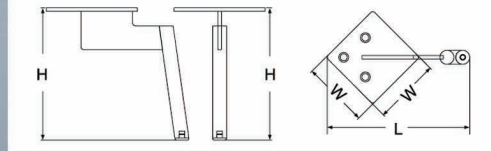




Various styles available for your unique sofa structure



材料 /Material	L (mm)	W (mm)	H (mm)
铁 /Iron		95	150
铁 /Iron		95	170
铁 /Iron		95	190



SSIC-ZK-AC049
Material:Iron
Size:L165 *H100mm



SSIC-ZK-AC060
Material:Iron
Size:L130 *H135mm



SSIC-ZK-AC064
Material:Iron
Size:L160 *W160*H135mm



SSIC-ZK-KA0501
Material:Iron
Size:L136*H123mm



SSIC-ZK-AC066
Material:Iron
Size:H105/110/123mm



SSIC-ZK-AC071
Material:Iron
Size:L126*W126*H123mm



SSIC-ZK-AC074
Material:Iron
Size:L125*W125*H180mm



SSIC-ZK-AC075
Material:Iron
Size:L134*H120mm



SSIC-ZK-AC076
Material:Iron
Size:H155mm



SSIC-ZK-AC064
Material:Iron
Size:L150*H120/130/170mm



SSIC-ZK-AL037
Material:Iron
Size:L300*H145mm



SSIC-ZK-AL047
Material:Iron
Size:W90*H170mm



SSIC-ZK-CP096
Material:Iron
Size:W60*H170mm



SSIC-ZK-AN092
Material:Iron
Size:L90*W80*H155mm



SSIC-ZK-AN087
Material:Iron
Size:L265*H100mm



SSIC-ZK-AL043
Material:Iron
Size:H123mm



SSIC-ZK-AN085
Material:Iron
Size:L140*W40*H130mm



SSIC-ZK-AN096
Material:Iron
Size:W70*H170mm
W52*H150mm



SSIC-ZK-AN103
Material:Iron
Size:W48*H120mm



SSIC-ZK-CP062
Material:Alu Alloy
Size:L172*W60*192mm



SSIC-ZK-CP063
Material:Alu Alloy
Size:L176*W58*140mm



SSIC-ZK-CP070
Material:Alu Alloy
Size:L88*W65*100mm



SSIC-ZK-CP095
Material:Alu Alloy
Size:W50*H150mm



SSIC-ZK-CP047
Material:Alu Alloy
Size:L390*W60*142mm



SSIC-ZK-CP048
Material:Alu Alloy
Size:L169*W75*242mm



Each piece is carefully refined in every detail, combining durability with smooth, elegant lines to complement modern furniture design.



SSIC-ZK-AC076
Material:Iron
Size:L185 *H150mm
L147 *H150mm



SSIC-ZK-AE022
Material:Iron
Size:L235 *H150mm



SSIC-ZK-AK042
Material:Iron
Size:Ø 50*H150mm



SSIC-ZK-AK044
Material:Iron
Size:Ø 14*H150/170mm



SSIC-ZK-AK046
Material:Iron
Size:L130*H144mm



SSIC-ZK-AL016
Material:Iron
Size:L32*W32*H100/170mm



SSIC-ZK-AL042
Material:Iron
Size:Ø 22*H150/170/190mm



SSIC-ZK-AL049
Material:Iron
Size:L150*135*H150mm



SSIC-ZK-AM022
Material:Iron
Size:W200*H151mm



SSIC-ZK-AN063
Material:Iron
Size:H130mm



SSIC-ZK-AN091
Material:Iron
Size:L75*53*H120/150mm



SSIC-ZK-AN092
Material:Iron
Size:L214*H180mm



SSIC-ZK-AN108
Material:Iron
Size:L112*W50*H130/140mm



SSIC-ZK-AN114
Material:Iron
Size:L176*W68*H150mm
L232*W68*H190mm



SSIC-ZK-AP064
Material:Iron
Size:L224*H150mm
L224*H180mm



SSIC-ZK-CP097
Material:Alu Alloy
Size:L124*W123*H203mm



SSIC-ZK-CP122
Material:Alu Alloy
Size:L184*W80*H200mm



SSIC-ZK-CP129
Material:Alu Alloy
Size:L126*W100*H180mm



SSIC-ZK-CP110
Material:Alu Alloy
Size:W132*H70mm



SSIC-ZK-CP115
Material:Alu Alloy
Size:L196*W99*18mm



SSIC-ZK-CP120
Material:Alu Alloy
Size:L176*H140mm



SSIC-ZK-CP131
Material:Alu Alloy
Size:L130*H170mm



SSIC-ZK-CP130
Material:Alu Alloy
Size:L135*W100*H190mm



SSIC-ZK-CP134
Material:Alu Alloy
Size:L148*W25*130mm



SSIC-ZK-CP140
Material:Alu Alloy
Size:L130*W90*130mm

- Ultra-Durable Plastic-Steel
- One-piece molding with smooth edges, no burrs or sharp parts
- Safe for humans and pets – no risk of scratches
- No welding marks for a clean and premium appearance
- Corrosion-resistant and rust-proof material – no cracking or rusting over time
- High load-bearing capacity – stable, no shaking or deformation
- Eco-friendly material, safe and sustainable
- Suitable for sofas, beds, cabinets, chairs, and more





SSIC-RA-R0856

Size: 67 * 60 * H115mm
Net Weight: 100g
Color available: Electroplated gun
Transfer wood grain



SSIC-RA-R0890

Size: 49 * 106 * H140mm
Net Weight: 195g
Color available: Electroplated gun
Transfer wood grain



SSIC-RA-R0891

Size: 135 * 135 * H115mm
Net Weight: 250g
Color available: Electroplated gun
Transfer wood grain





SSIC-RA-R0912

Size: 135 * 91 * H140mm
Net Weight: 206g
Color available: Bright black



SSIC-RA-R0914

Size: 60 * 95 * H140mm
Net Weight: 181g
Color available: Blue gunmetal



SSIC-RA-R0916

Size: 80 * 85 * H140/240mm
Net Weight: 276g
Color available: Space grey





SSIC-RA-R0889

Size: 135 * 91 * H140mm
Net Weight: 206g
Color available: Gunmetal
Wood grain
Matte gray



SSIC-RA-R0918

Size: 180 * 75 * H140mm
Net Weight: 336g
Color available: Bright black
Gunmetal
Wood grain



SSIC-RA-R0898

Adjustable height: 195-310mm
Net Weight: 181g
Color available: Black





SSIC-RA-R0517
Size: Ø55 * H38mm
Net Weigh: 47g



SSIC-RA-R0528
Size: Ø45 * H45mm
Net Weigh: 54g



SSIC-RA-R0712
Size: Ø45 * H50mm
Net Weigh: 47g



SSIC-RA-R0707
Size: Ø55 * Ø532 * H150mm
Net Weigh: 97g



SSIC-RA-R0850
Size: Ø55 * H120mm
Net Weigh: 73g



SSIC-RA-R0854
Size: Ø60 * Ø40 * H120mm
Net Weigh: 97g



SSIC-RA-R0850-4
Size: Ø60 * Ø40 * H120mm
Net Weigh: 97g



SSIC-RA-R0857
Size: Ø55 * H30mm
Net Weigh: 41g



SSIC-RA-R0866
Size: Ø55 * H40mm
Net Weigh: 45g



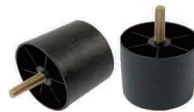
SSIC-RA-R0876
Size: Ø55 * H80/90/120mm
Net Weigh: 45g



SSIC-RA-R0894
Size: Ø40 * H60mm
Net Weigh: 48g



SSIC-RA-R0913
Size: Ø60 * H50mm
Net Weigh: 86g



SSIC-RA-R096
Size: Ø60 * H50mm
Net Weigh: 51g



SSIC-RA-R0102
Size: Ø60 * Ø40 * H40mm
Net Weigh: 42g



SSIC-RA-R0101
Size: Ø70 * H100mm
Net Weigh: 100g



SSIC-RA-R0027
Size: 42 * 45 * H55mm
Net Weigh: 28g



SSIC-RA-R0706
Size: 127 * 35 * H35mm
Net Weigh: 41g



SSIC-RA-R0720
Size: 127 * 125 * H50mm
Net Weigh: 167g



SSIC-RA-R0721
Size: 127 * 35 * H50mm
Net Weigh: 74g



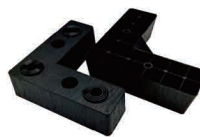
SSIC-RA-R0723
Size: 127 * 178 * H50mm
Net Weigh: 161g



SSIC-RA-R0859
Size: 212 * 118 * H50mm
Net Weigh: 130g



SSIC-RA-R0860
Size: 210 * 210 * H50mm
Net Weigh: 149g



SSIC-RA-R0861
Size: 150 * 150 * H50mm
Net Weigh: 127g

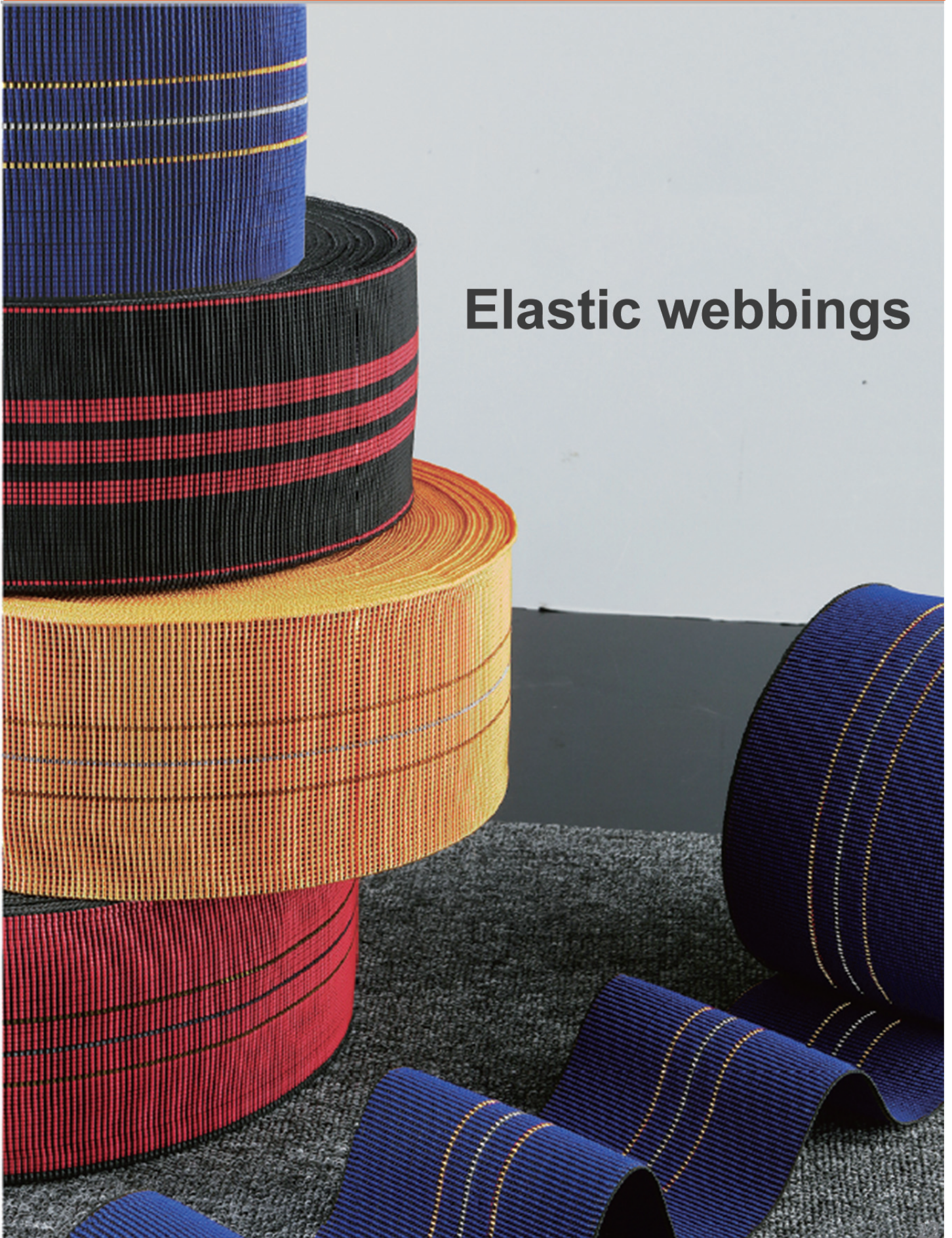


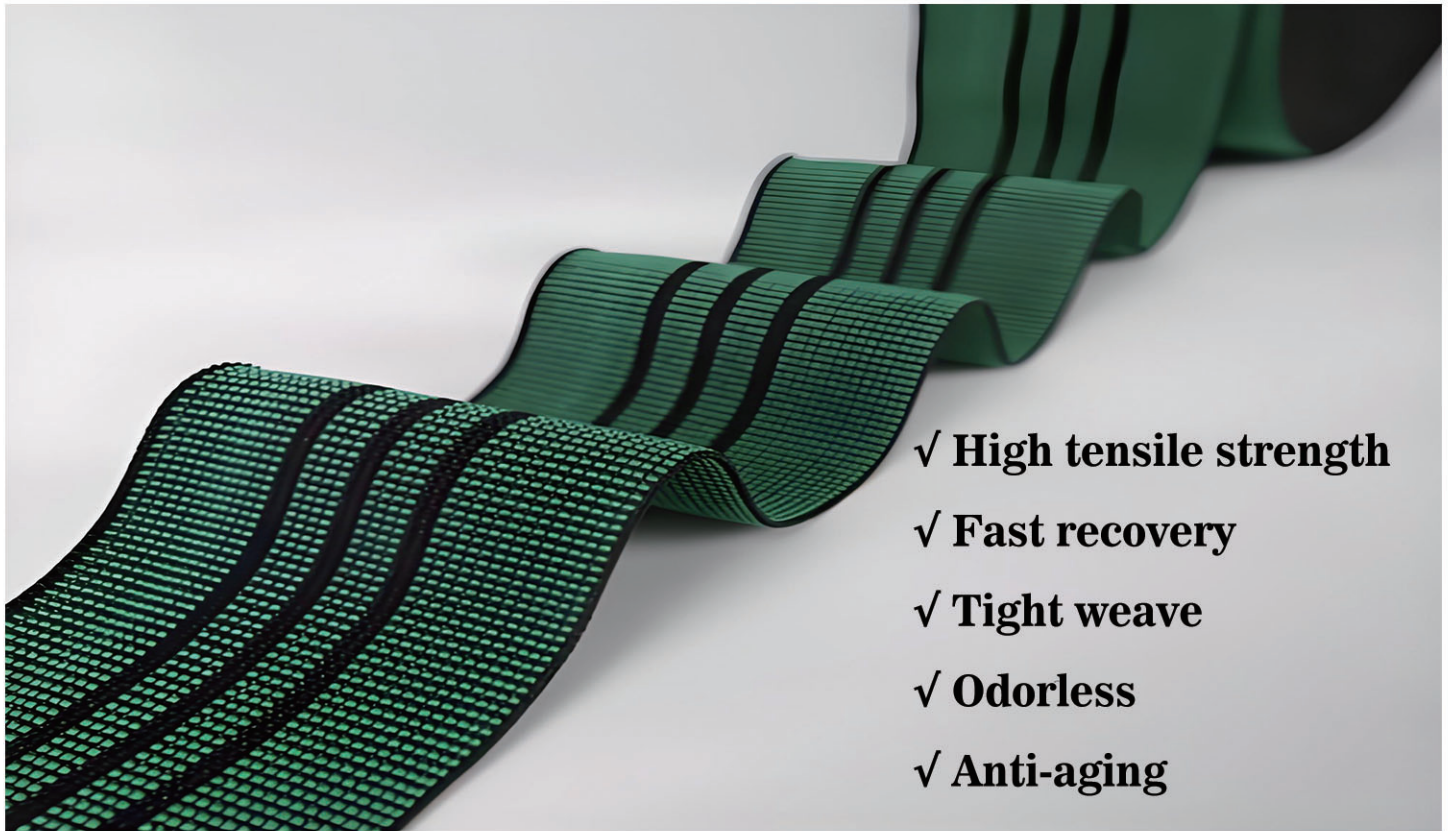
SSIC-RA-R0530
Size: 90 * 90 * H50mm
Net Weigh: 59g



SSIC-RA-RH111
Size: Ø65 * H180mm
Net Weigh: 143g

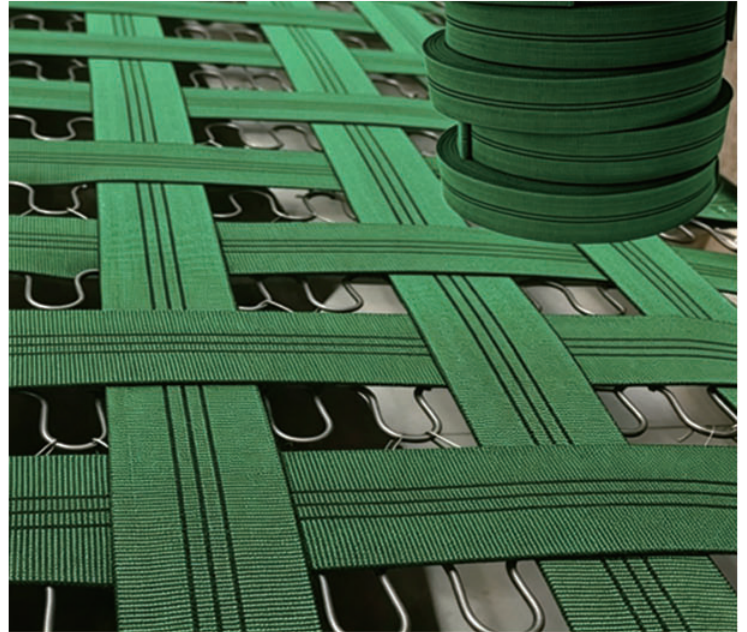
Elastic webbings







SOUTHERN STAR



SSIC-JFL-033
Material: Polypropylene
Width: 4.8cm
Elastic strap qty: 33
N.W: 39g/m
Length: 100m/roll



SSIC-JFL-059
Material: Polypropylene
Width: 5cm
Elastic strap qty: 31
N.W: 36g/m
Length: 100m/roll



SSIC-JFL-180
Material: Polypropylene
Width: 5/6/7cm
Elastic strap qty: 28/33/38
N.W: 46/59/69g/m
Length: 100m/roll



SSIC-JFL-19012
Material: Polypropylene
Width: 12cm
Elastic strap qty: 180
N.W: 102g/m
Length: 100m/roll



SSIC-JFL-19017
Material: Polypropylene
Width: 7cm
Elastic strap qty: 105
N.W: 74g/m
Length: 100m/roll



SSIC-JFL-19072
Material: Polypropylene
Width: 7cm
Elastic strap qty: 105
N.W: 70g/m
Length: 100m/roll



SSIC-JFL-202
Material: Polypropylene
Width: 4cm
Elastic strap qty: 25
N.W: 22g/m
Length: 100m/roll



SSIC-JFL-208
Material: Polypropylene
Width: 4cm
Elastic strap qty: 26
N.W: 16g/m
Length: 100m/roll



SSIC-JFL-301
Material: Polypropylene
Width: 4.8cm
Elastic strap qty: 26
N.W: 28g/m
Length: 100m/roll



SSIC-JFL-302
Material: Polypropylene
Width: 4.5cm
Elastic strap qty: 26
N.W: 24g/m
Length: 100m/roll



SSIC-JFL-303
Material: Polypropylene
Width: 4.8cm
Elastic strap qty: 27
N.W: 23g/m
Length: 100m/roll



SSIC-JFL-306
Material: Polypropylene
Width: 3.5cm
Elastic strap qty: 25
N.W: 20g/m
Length: 100m/roll



SSIC-JFL-318
Material: Polypropylene
Width: 4.8cm
Elastic strap qty: 84
N.W 51g/m
Length: 100m/roll



SSIC-JFL-469
Material: Polypropylene
Width: 9cm
Elastic strap qty: 32
N.W: 66g/m
Length: 100m/roll



SSIC-JFL-470
Material: Polypropylene
Width: 7cm
Elastic strap qty: 86
N.W: 60g/m
Length: 100m/roll



SSIC-JFL-493
Material: Polypropylene
Width: 8cm
Elastic strap qty: 42
N.W: 51g/m
Length: 100m/roll



SSIC-JFL-495
Material: Polypropylene
Width: 8cm
Elastic strap qty: 42
N.W: 51g/m
Length: 100m/roll



SSIC-JFL-505
Material: Polypropylene
Width: 4.7cm
Elastic strap qty: 29
N.W: 29g/m
Length: 100m/roll



SSIC-JFL-507
Material: Polypropylene
Width: 5cm
Elastic strap qty: 51
N.W: 29g/m
Length: 100m/roll



SSIC-JFL-511
Material: Polypropylene
Width: 5cm
Elastic strap qty: 32
N.W: 29g/m
Length: 100m/roll



SSIC-JFL-512
Material: Polypropylene
Width: 4cm
Elastic strap qty: 29
N.W: 28g/m
Length: 100m/roll



SSIC-JFL-302
Material: Polypropylene
Width: 5cm
Elastic strap qty: 56
N.W: 26g/m
Length: 100m/roll



SSIC-JFL-515
Material: Polypropylene
Width: 6.5cm
Elastic strap qty: 56
N.W: 47g/m
Length: 100m/roll



SSIC-JFL-518
Material: Polypropylene
Width: 5cm
Elastic strap qty: 75
N.W: 51g/m
Length: 100m/roll



SSIC-JFL-526
Material: Polypropylene
Width: 5.5cm
Elastic strap qty: 75
N.W: 50g/m
Length: 100m/roll



SSIC-JFL-532
Material: Polypropylene
Width: 5cm
Elastic strap qty: 84
N.W: 50g/m
Length: 100m/roll



SSIC-JFL-537
Material: Polypropylene
Width: 5cm
Elastic strap qty: 56
N.W: 43g/m
Length: 100m/roll



SSIC-JFL-582
Material: Polypropylene
Width: 5cm
Elastic strap qty: 38
N.W: 31g/m
Length: 100m/roll



SSIC-JFL-608
Material: Polypropylene
Width: 6cm
Elastic strap qty: 60
N.W: 46g/m
Length: 100m/roll



SSIC-JFL-610
Material: Polypropylene
Width: 6cm
Elastic strap qty: 82
N.W: 52g/m
Length: 100m/roll





SSIC-JFL-613
 Material: Polypropylene
 Width: 6cm
 Elastic strap qty: 99
 N.W: 50g/m
 Length: 100m/roll



SSIC-JFL-615
 Material: Polypropylene
 Width: 6cm
 Elastic strap qty: 93
 N.W: 71g/m
 Length: 100m/roll



SSIC-JFL-618
 Material: Polypropylene
 Width: 6cm
 Elastic strap qty: 62
 N.W: 40g/m
 Length: 100m/roll



SSIC-JFL-619
 Material: Polypropylene
 Width: 6cm
 Elastic strap qty: 31
 N.W: 41g/m
 Length: 100m/roll



SSIC-JFL-706
 Material: Polypropylene
 Width: 7cm
 Elastic strap qty: 60
 N.W: 56g/m
 Length: 100m/roll



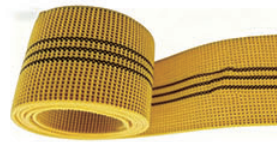
SSIC-JFL-707
 Material: Polypropylene
 Width: 7cm
 Elastic strap qty: 80
 N.W: 61g/m
 Length: 100m/roll



SSIC-JFL-708
 Material: Polypropylene
 Width: 7cm
 Elastic strap qty: 117
 N.W: 81g/m
 Length: 100m/roll



SSIC-JFL-731
 Material: Polypropylene
 Width: 7cm
 Elastic strap qty: 76
 N.W: 48g/m
 Length: 100m/roll



SSIC-JFL-1001
 Material: Polypropylene
 Width: 10cm
 Elastic strap qty: 30
 N.W: 60g/m
 Length: 100m/roll



SSIC-JFL-3021
 Material: Polypropylene
 Width: 4.5cm
 Elastic strap qty: 26
 N.W: 24g/m
 Length: 100m/roll



SSIC-JFL-203
 Material: Polypropylene
 Width: 4.5cm
 Elastic strap qty: 21
 N.W: 15g/m
 Length: 100m/roll



SSIC-JFL-A076
 Material: Polypropylene
 Width: 7cm
 Elastic strap qty: 38
 N.W: 32g/m
 Length: 100m/roll



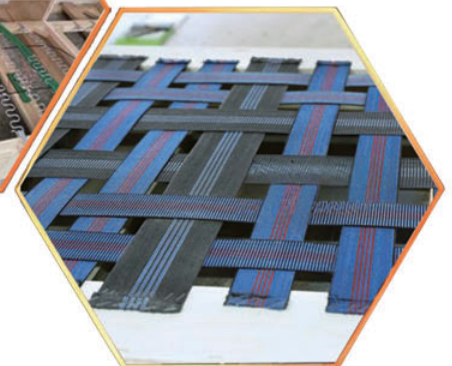
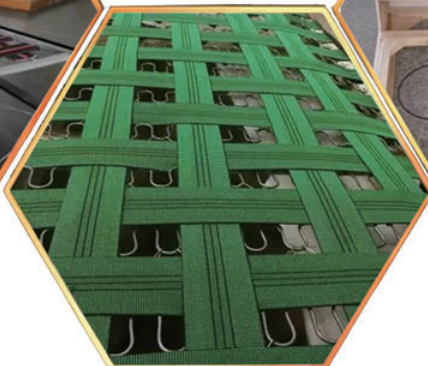
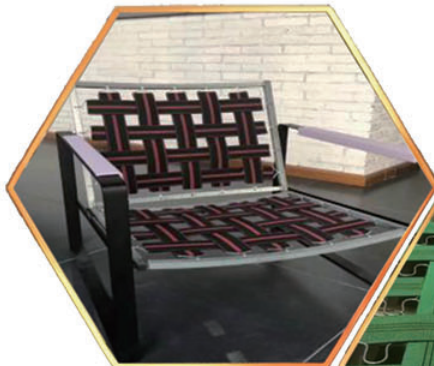
SSIC-JFL-588
 Material: Polypropylene
 Width: 5cm
 Elastic strap qty: 73
 N.W: 60g/m
 Length: 100m/roll



SSIC-JFL-A013
 Material: Polypropylene
 Width: 5cm
 Elastic strap qty: 24
 N.W: 26g/m
 Length: 100m/roll



SSIC-JFL-83
 Material: Polypropylene
 Width: 5cm
 Elastic strap qty: 32
 N.W: 32g/m
 Length: 100m/roll





POCKET SPRING

INDEPENDENT COMFORT TECHNOLOGY

Engineered for Premium Seating



Independent
Support



Superior
Comfort



Durable
performance



Engineered
for Quality

WHY CHOOSE OUR POCKET SPRING?

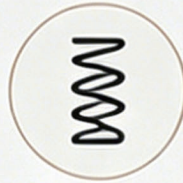


Advanced independent spring system brings exceptional comfort, support and durability to modern seating



INDEPENDENT SUPPORT

Each spring works independently to evenly distribute body pressure and improve seating comfort.



HIGH RESILIENCE

Excellent rebound performance ensures long-lasting elasticity and stable seating support.



ENHANCED COMFORT

Soft yet supportive seating experience for premium upholstered furniture.



REDUCED NOISE

Fabric pocket structure minimizes friction and noise during movement.



BREATHABLE STRUCTURE

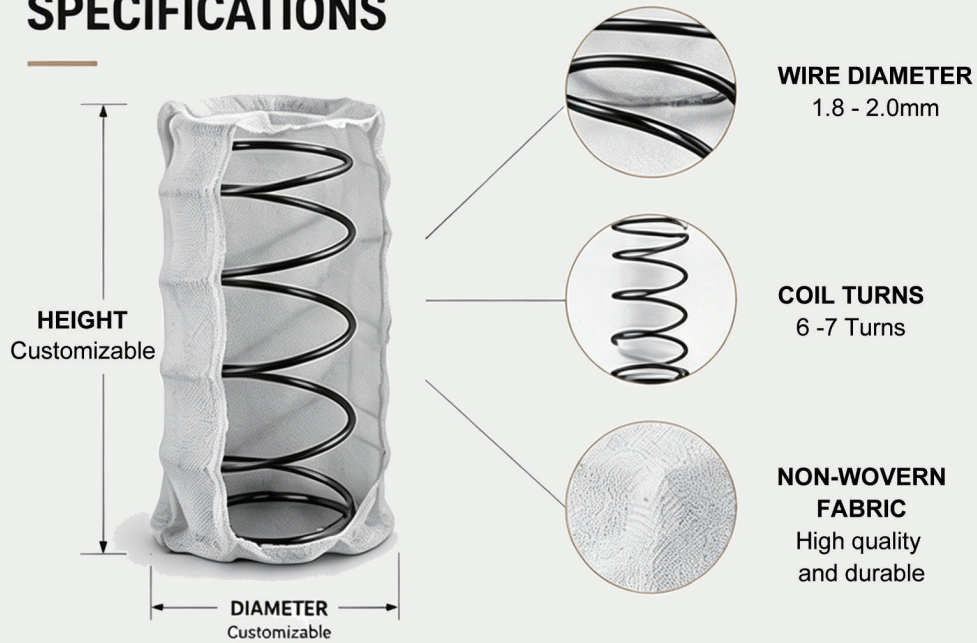
Open spring arrangement improves airflow and moisture dissipation.



DURABLE PERFORMANCE

High-strength steel wire provides excellent load capacity and durability.

TECHNICAL SPECIFICATIONS



PARAMETERS	DETCRIPTION
Wire Diameter	1.8 - 2.0mm
Coil Turns	6 - 7 Turns
Height	80 - 180mm(Customizable)
Density	Individual pocket spring arranged in roms
Ccompression Rate	According to customer requirements
Suport Level	Soft / Medium / Firm

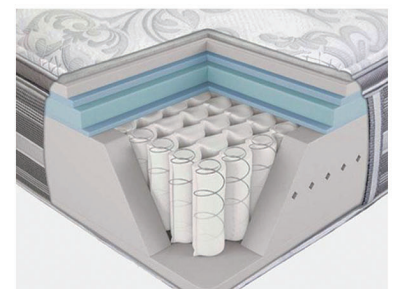


WIDE APPLICATIONS



One Spring Solution, Multiple Furniture Applications

- ✓ Sofa seat cushion
- ✓ Recliner sofa
- ✓ Functional furniture
- ✓ Hybrid mattress



Innovative Manufacturing Process

Efficiency

Easy Assembly

Labor Saving

Sofas | Beds | Office Chairs

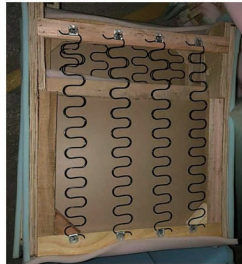


1. Spring-Hanging Adhesive Strip

Available in **9, 10, 12, and 15 cm** spacing;
Colors: white & black

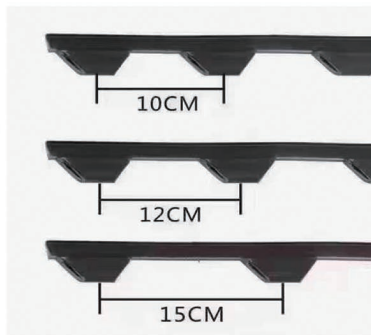
Old Process

- Hard to fix
- Uneven spacing
- Noisy & unattractive
- Time-consuming



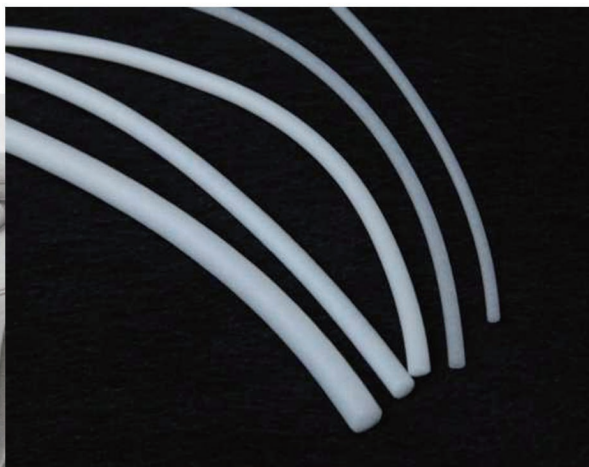
New Process

- Easy to apply
- Perfect spacing
- Quiet & clean look
- Faster installation



2. Edge-Roll Foam Strip

Sizes: **2 / 3 / 4 / 5 / 6 / 8 mm**
Custom sizes available



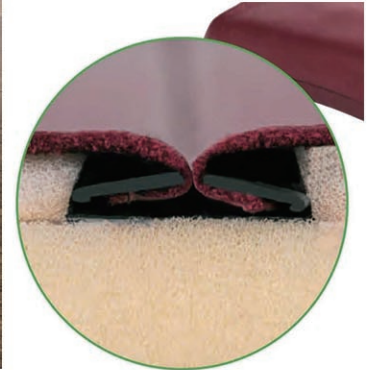
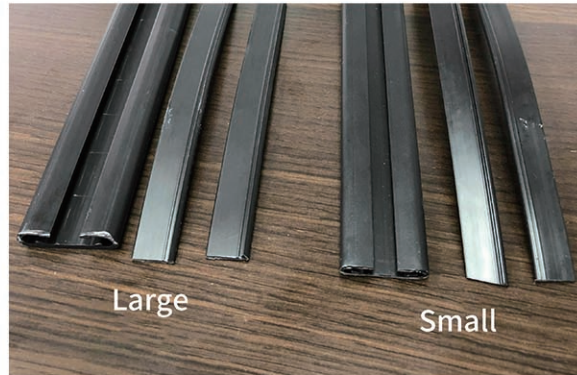
Ideal replacement for traditional cotton piping

3. Double-Sided Locking Strip

An efficient alternative to zippers, delivering a cleaner appearance, professional finish, and faster assembly.

Notes:

- > Requires male-female pairing (recommended ratio 1:2)
- > Compatible with soft edge strips for standalone use
- > Use large size for thick materials, small size for thin materials (testing recommended)



Application Results for Chairs & Sofas

Traditional Process

- Low installation efficiency
- Zipper closure required
- Visible zippers
- Uneven finish
- Affects appearance and reduces product value



New Process

- Smooth and seamless closure
- Clean, refined appearance
- No visible marks
- Professional, high-end finish
- Improved installation efficiency and overall quality



Applications:

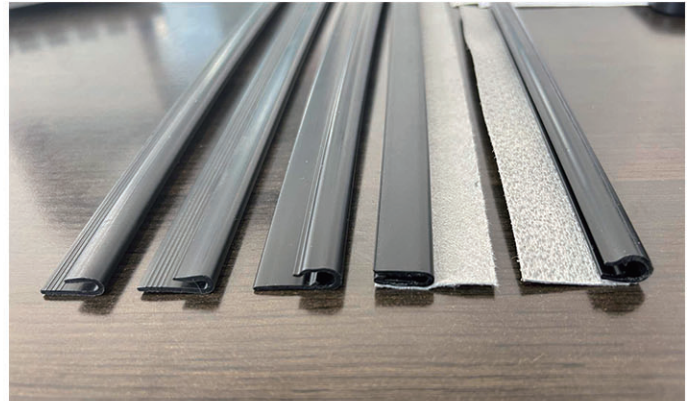
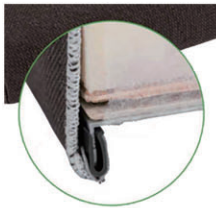
Sewing sections | Stapling / nailing sections | Reverse fastening sections | Connection points between components
 Hard-to-access or complex assembly areas | Versatile for various custom applications

4. Single-Sided Locking Strip -- A Smarter Alternative to Zipper

A smart fastening solution designed to replace traditional zippers, improving efficiency, appearance, and overall product value.

Notes:

- > Available in multiple sizes and specifications
- > Can be used independently or paired (male-female configuration)



Headrest Application

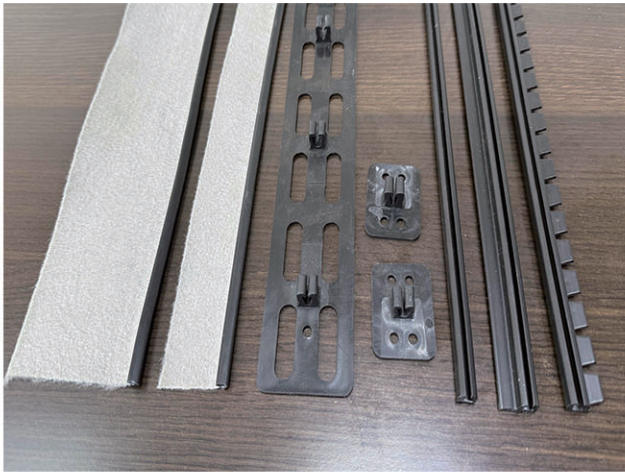


Multi-Application Use



5. Fabric Pull Slot & Pull Strip System

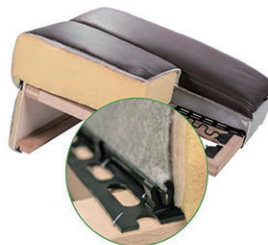
A smart solution for precise seam shaping, ensuring consistency, efficiency, and a high-quality finish across upholstery applications



- ✓ Uniform and smooth surface
- ✓ Clean and precise seam lines
- ✓ Uniform and smooth surface
- ✓ No deformation or pulling marks
- ✓ Easy and efficient installation
- ✓ Consistent results across production

Applications:

Backrests, seat cushions, armrests, leg rests, and other upholstery sections



6. Upholstery Tufting System

(Tufting Strips + Support Pads + Upholstery Pins)

A complete solution to replace traditional manual tufting methods, delivering consistent results, higher efficiency, and improved product quality.



Feature:

- ✓ Pre-defined length ensures consistent tufting depth
- ✓ Clean, uniform, and professional finish
- ✓ Fast and easy installation
- ✓ Standardized assembly process
- ✓ Reduces reliance on skilled labor
- ✓ Improves efficiency and product value

**Tufting Strips + Support Pads
Application Effect**



**Plastic Upholstery Pins
Application Effect**



Thank you for your time!
We look forward to supporting your projects
with reliable components and tailored solutions.



SHENZHEN SOUTHERN STAR INTL CO LTD

Mob/Wechat/WhatsApp: +86 134 2288 7396

Email: info@ssic-hardware.com

Web: www.ssic-hardware.com

Add: Rm 1501L18, Galaxy Century Building A, Caitian Rd. #3069,
Futian District, Shenzhen.